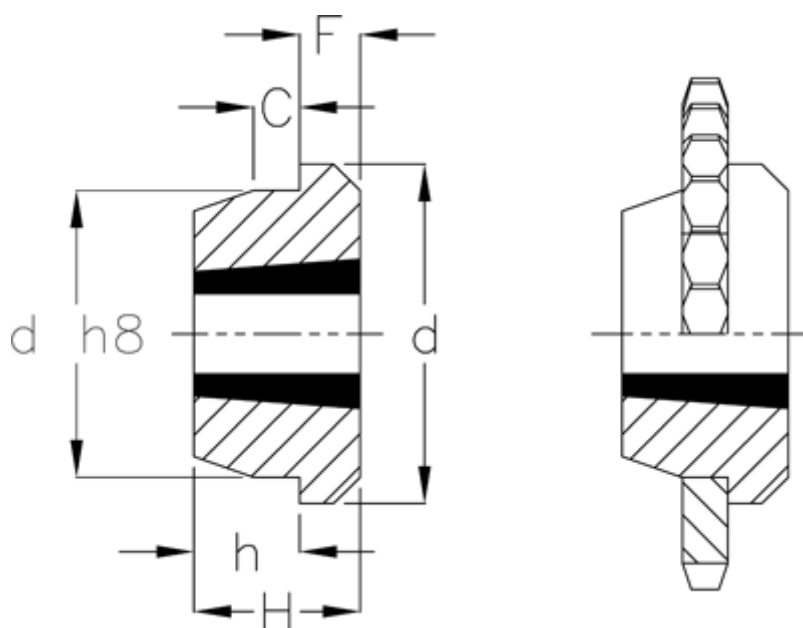


Article number: 6160403020

Description: Welding hub for taper bush type MSB
for taper bush 3020

Measures



C	= 18
d	= 152
d H8	= 130
F	= 24
For taper bush = 3020	
H	= 51
h	= 27